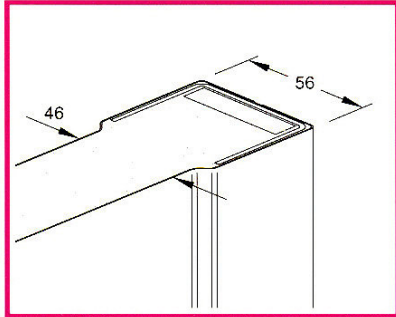
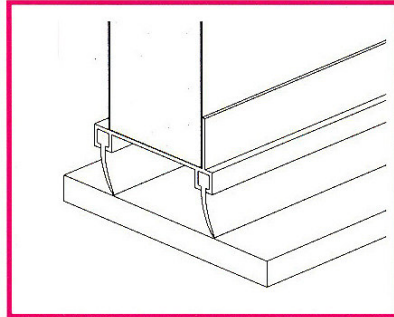




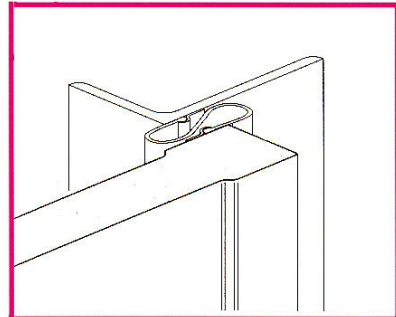
Bi-fold Insulated Folding Doors



Panel Edge



Floor Seal



Jamb Detail

Standard Details and Equipment

<p>Type of Door</p>	<p>Bostwick Bo-Shan Bi-Fold Insulated Folding Doors is side hung, fast acting, Bi-folding door available with 2 leaves folding to one or both side.</p>
<p>Panel Construction</p>	<p>Panels are constructed from a 50 x 45 x 1.6mm thick cold rolled galvanized channel frame with local reinforcement for hardware. The frames is covered on both sides with min. 0.6mm thick galvanized steel sheets and pressure injected with CFC free polyurethane foam to form an extremely strong, flat panel. The panel thickness is 52mm and has a U-value of 0.40 Watts/m²/c.</p> <p>Acoustic Performance of the panel – Average weight SRI, RW index tested at 29 dB. Overall door 25 dB.</p>
<p>Seals</p>	<p>Double EPDM wiper seals are fitted at the bottom of each door panel. A 35mm long nylon brush strip is fitted across the lintel. A full height EPDM lap seal and full height EPDM butt seal are fitted to the jamb and leading edge panels respectively. Each of these seals are fitted in aluminum extrusions.</p> <p>The vertical joint between panels are fitted with a pair of interlocking EPDM seals providing full height finger trap protection.</p>
<p>Tracks and Gear</p>	<p>The weight of the door is carried at the jambs on a pair of steel hinges with 16 mm Ø hinge pins running on low friction bearings. Apex hinges are extruded anodized aluminum fittings with 16mmØ stainless steel pins. All hinges are fitted with self-lubricating bushes.</p> <p>The top guide track is a 50 x 50 x 3 mm galvanized lipped channel mounted with adjustable brackets. The top guide roller is a 42 mm Ø nylon guide wheel running on a 16 mm Ø stainless steel shaft and mounted in an extruded anodized aluminum fitting.</p>

Hinge	Hinges are extruded anodized aluminum fittings with 16mm Ø stainless steel pins. Bottom Apex hinges allow vertical adjustment of leaves. All hinges have self-lubricating bushes and are very low maintenance.
Finish	External sheet in stock color (please see the color table) The internal and external sheets of each door panel including all hinges, handles and aluminum extrusions are Polyester Powder Coated in standard RAL color. Powder will be Interpon 610 from Akzo Nobel. The top track assembly will be supplied prime painted. The bottom track is manufacture from pre-coated galvanized steel. All drive fittings are zinc plated.
Power Operation	A FAAC 560 electro-hydraulic drive unit is mounted at high level, internally on each of the leading leaves. Leaves are operated via a rotating telescopic arm fixed between the drive unit and the jamb hinge. A FAAC 455D control panel and an Open-Close-Stop push button are provided as standard. The incoming supply required is 240 volts single phase, 50-60Hz, 10 amps. Push Button Operation. Continuous push to open, Continuous push to close
Maximum Width	5700mm for manual operation 4750mm for power operation
Maximum Height	6000mm
Maximum area of door	24m ²
Sideroom required	180mm
Headroom required	150mm
Weight	20kg/m ²
Optional Details and Equipment	
Wicket Door	Standard lever furniture – outward opening and finished to match the door. Fitted with mortice sashlock, low- profile lever furniture and external cylinder, stainless steel hinges and hidden overhead door stay. Emergency escape furniture – outward opening and finished to match the door, fitted with internal panic bar and external override cylinder.
Vision Panels	Acrylic – Double – glazed tinted acrylic vision windows in EPDM rubber gasket. Sized 680mm by 500mm with 60mm radiuses corners. Security – Double glazed toughened glass vision windows, fully weather sealed in black aluminum frame. Sized 680mm by 500mm with 60mm radiuses corners.
Locking and Hardware	Lever Operation Floor Bolt – a waist height lever handle, which engages a 30 x 10 mm steel bar into a socket in the floor. Fitted internally at the intermediate joints between leaves – interlocked with motor Low Level Manual release – in the event of power failure the motor can be disengaged instantly using a lever with built in pull handle to open the door.

Optional Control & Safety Equipment

Safety Equipment

Safety Edge - A pneumatic tube within the leading edge seal of the door. If the leading edge impacts with an object or person whilst closing, the door will automatically stop and re-open.

Reflective photocell – a photocell unit is fitted at one jamb, which emits a beam across the opening to a reflective plate. If the beam is broken during or prior to closing, the door will re-open.

Control Equipment

Key Switch – Lockable On/Off Keyswitch for internal or external use.

Digi Key – 4096 Combination keypad for internal and external use.

Radio control – Open or Close the door remotely from a vehicle or control room. P lug-in radio receiver supplied with 1 single channel transmitter.

Passive Infra Red Detector – Movement sensors mounted directly above the door. Can be fitted internally or externally .