

---

## SAPPHIRE

Explore the stunning new structural glazing solutions with maximized perspectives...

Sapphire is a new generation of innovative outdoor protection that expands outdoor living areas with its wide panoramic motorised glass panels. The system offers a high end fine frame designed guillotine glass system enriched with a perfect combination of luxury and functionality.

The patented worm shaft technology is supported with creative gearing mechanism that provides high level of safety and eliminates the operational problems with maintenance-free mechanism. Systems can incorporate tempered glazing with exclusive frame, glass type and glass color options. Optional two or three panels configurations are available with perfectly balanced motorised operation by remote control. Thanks to strengthened counterweight movement mechanism motor provides balanced up/down operation and panels can be stacked to either upwards or downwards.

System can be configured to fit and cover various types of areas such as restaurants, terraces, wintergardens, balconies either private or commercial. In addition system can be adapted with Suntech range so if there's a Suntech model to suit you can cover any large open area with side glazing options.

Depending on application, panels can be operated & stacked to suit, either upwards or downwards. Alternative opening-stacking configurations provide an infinite range of spacious living area options.

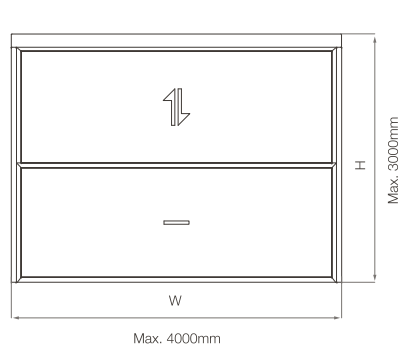
Thanks to multiple stacking positions, fixed panels can also incorporate the function of balustrades. The position of movable panels can be adjusted according to desired height.



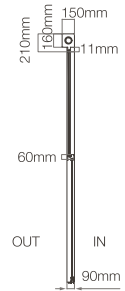
# Configurations

## 2 Panels / Down Parking

Standard Tempered Single Glass 8 / 10mm



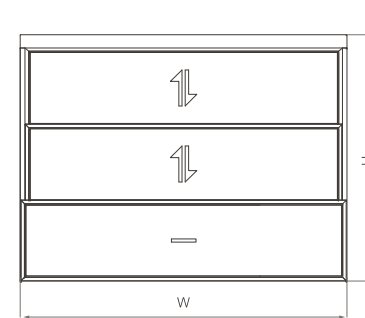
Internal View



Lateral Section

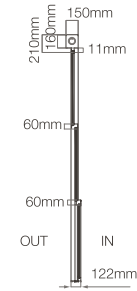
## 3 Panels / Down Parking

Standard Tempered Single Glass 8 / 10mm



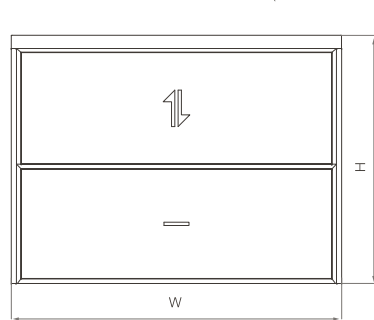
Internal View

Max. W 4000 > H 3000 mm  
Max. W 3000 > H 3500 mm



Lateral Section

Insulated Double Glass 4+12+4 mm (width 2000-3000 mm max.)  
5+10+5 mm (width 3000-4000 mm max.)



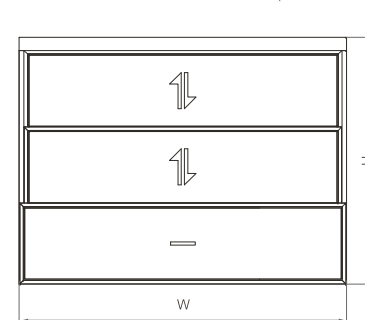
Internal View

Max. W 4000 > H 2500 mm  
Max. W 3500 > H 2750 mm  
Max. W 3000 > H 3000 mm



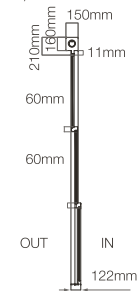
Lateral Section

Insulated Double Glass 4+12+4 mm (width 2000-3000 mm max.)  
5+10+5 mm (width 3000-4000 mm max.)



Internal View

Max. W 4000 > H 3000 mm  
Max. W 3000 > H 3500 mm

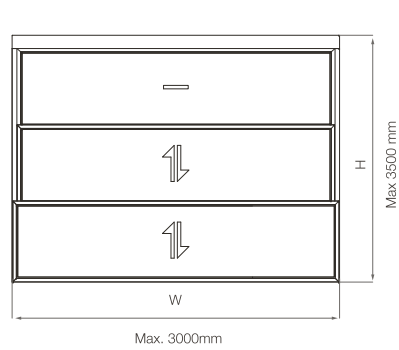


Lateral Section

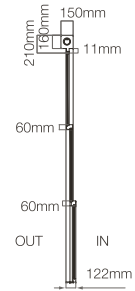
## Configurations

### 3 Panels / Up Parking

Standard Tempered Single Glass 8 / 10mm

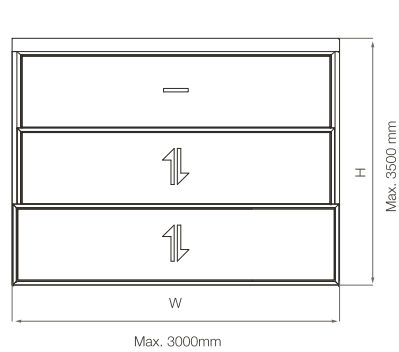


Internal View

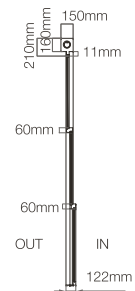


Lateral Section

Insulated Double Glass 4+12+4 mm (width 2000-3000 mm max.)



Internal View



Lateral Section

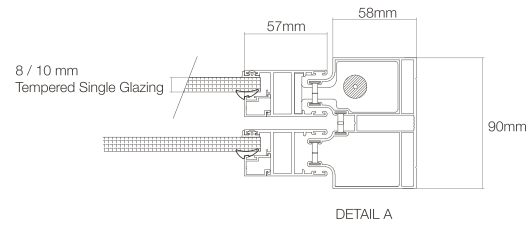
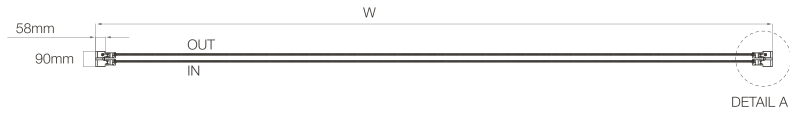
## Worm Shaft Technology



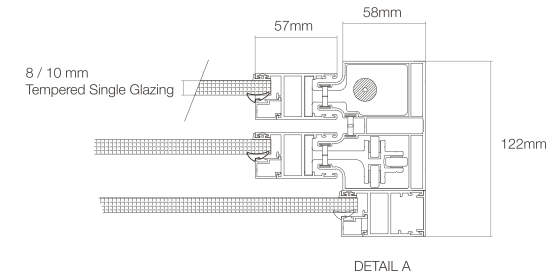
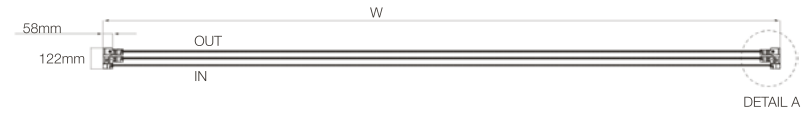
- The patented Worm Shaft technology eliminates the trembling and gives smooth movement even on large dimensions with its maintenance-free mechanism.
- This smart technology provides high degree safety compared to other working mechanism based on belts, chains and ropes.
- Gearbox system transfers the movement from the gear to the worm shaft mechanism and ensures the continuation of the movement.
- System has pure balanced up/down operation thanks to strengthened counterweight movement mechanism. Second panel supported by three-wheeled slider and ensures vibration-free movement.
- Depending on application, panels can be operated & stacked either upwards or downwards. Alternative opening-stacking configurations provide various range of spacious living area options.

Top Section

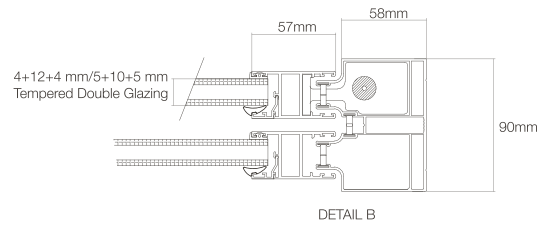
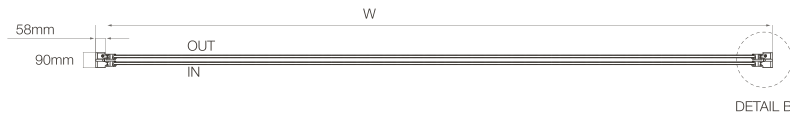
2 Panels Single Glazing



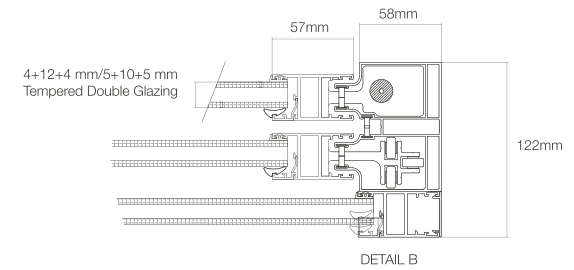
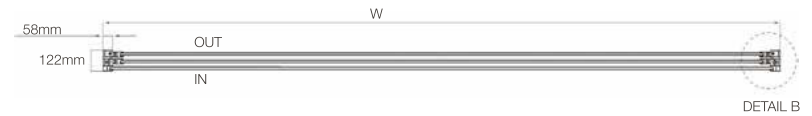
3 Panels Single Glazing



2 Panels Double Glazing

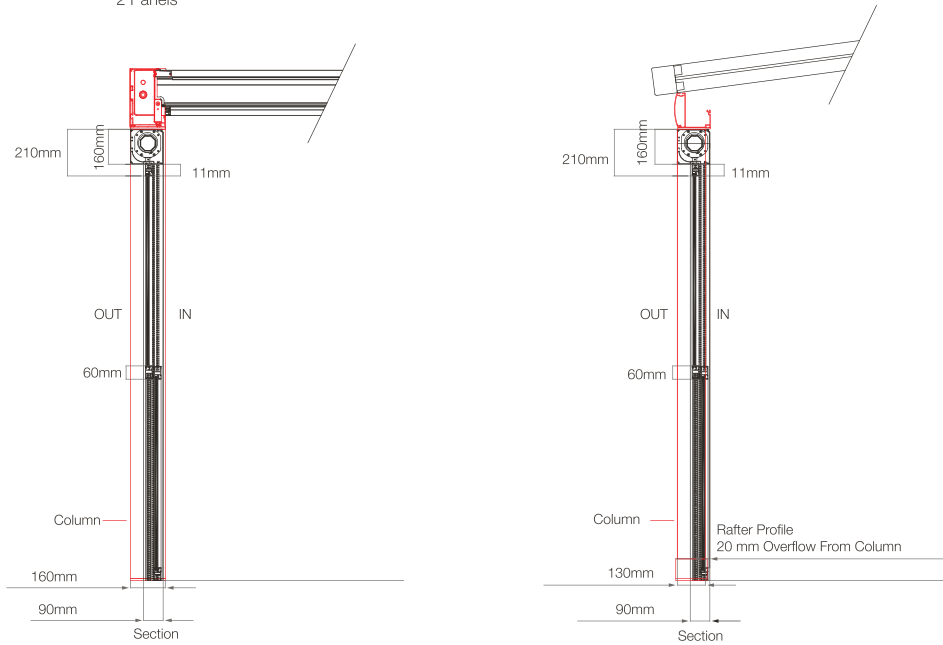


3 Panels Double Glazing



Overlap

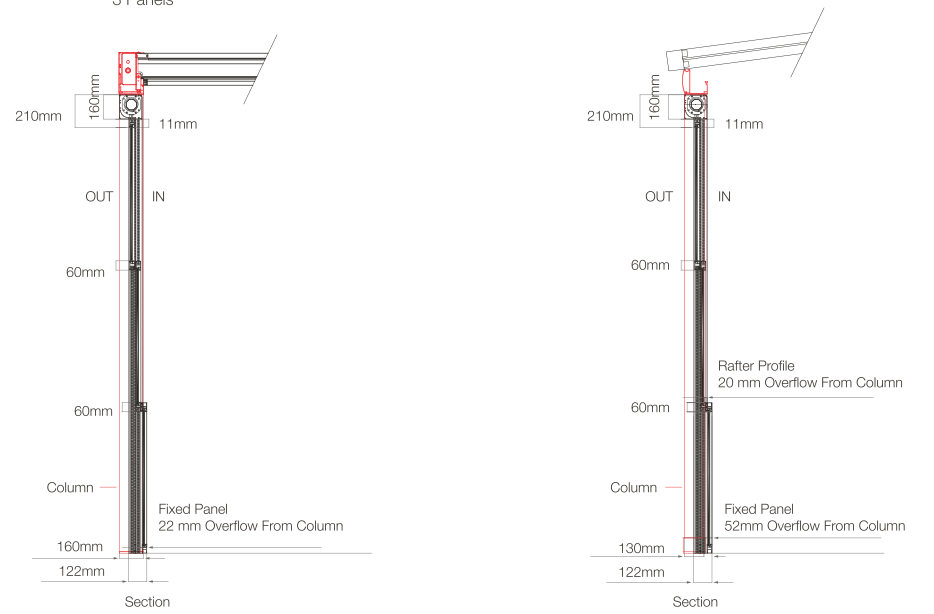
2 Panels



Gutter : 160mm  
Column : 160x160mm

Gutter : 160mm  
Column : 100x130mm

3 Panels



Gutter : 160mm  
Column : 160x160mm

Gutter : 160mm  
Column : 100x130mm